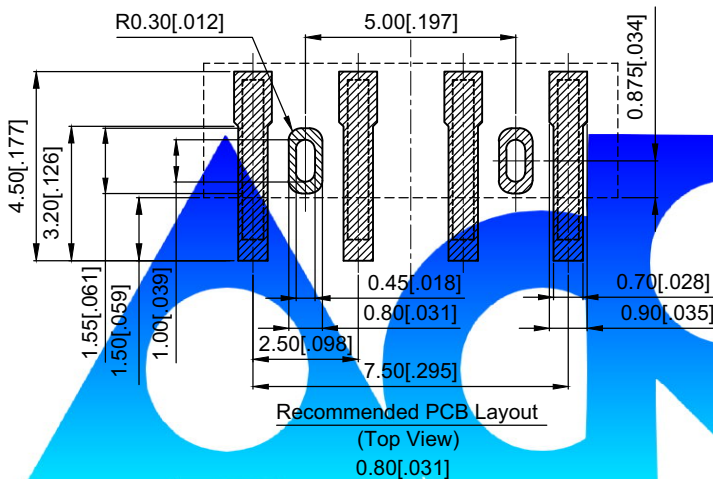
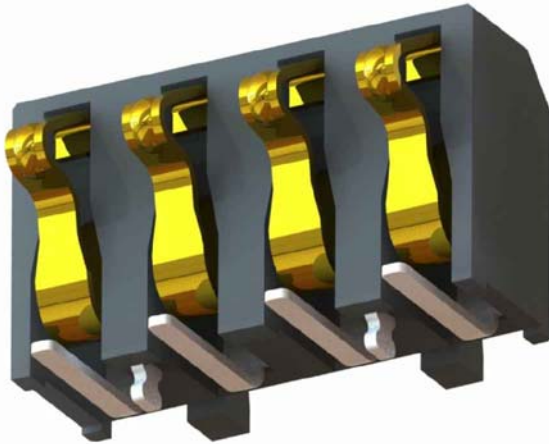
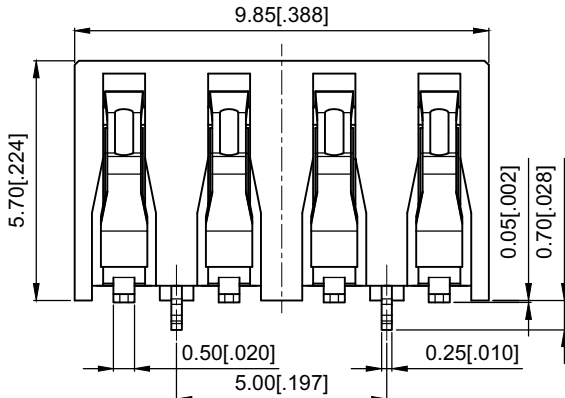
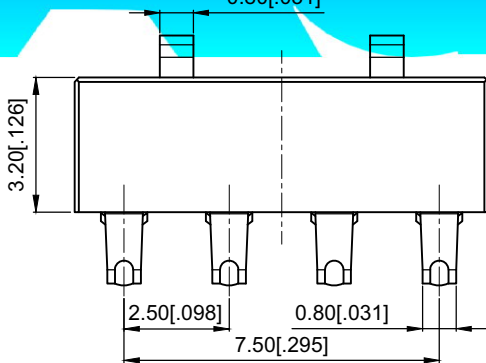


◆ 3 Pin Battery Connector 2.5mm Pitch, SMT



Recommended PCB Layout
(Top View)
0.80[.031]



Ordering Information:

BTM08 - A4 - R 0 0 3 0

1

- 1.Plating Options
- 3:30u" Gold in Contact Area

Physical:

- ◆ Housing
High Temp Thermoplastic, 94V-0 Rated, Black Color
- ◆ Terminal
Copper Alloy
- ◆ Post
Copper Alloy
- ◆ Terminal Plating
Gold Plating on Contact Area
Gold Flash Plating on Solder Tails
Nickel Underplating Overall
- ◆ Post
Matte Tin Plating Overall
Nickel Underplating Overall

Mechanical Specifications:

- ◆ Normal Force
1.5N Min. @0.70mm From Housing
- ◆ Durability
10000 Cycles
- ◆ Operating Temperature Rating
-40°C to +85°C

Electrical Specifications:

- ◆ Rated Voltage
15V
- ◆ Rated Current
2A Max.
- ◆ Contact Resistance
20 Milliohms Max. Initial
- ◆ Dielectric Withstanding Voltage
1000V AC for 1 Minute
- ◆ Insulation Resistance
500 Megohms Min.

