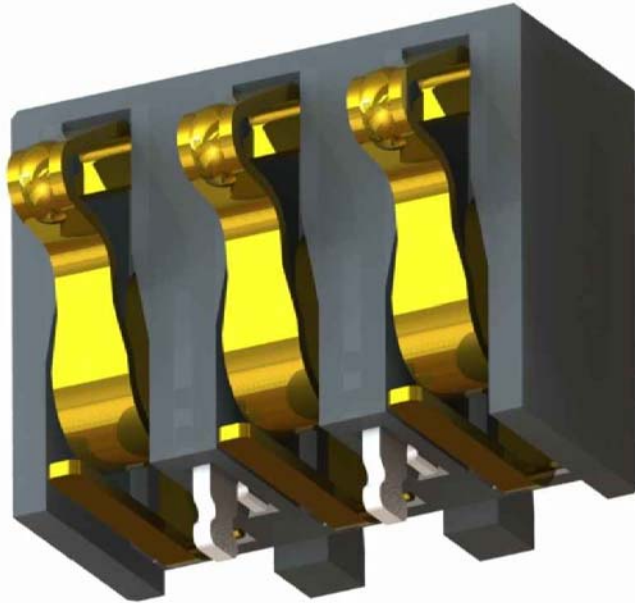


◆ 3 Pin Battery Connector 2.5mm Pitch Spring Type, SMT



Ordering Information:
BTM14 - A4 - R 0 0 2 0
1

- 1. Plating Options
- 2-15u" Gold In Contact Area

Physical:

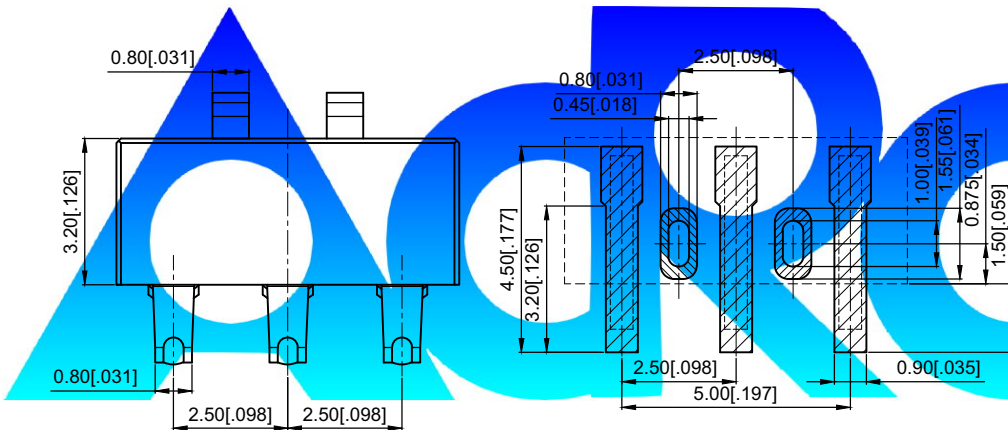
- ◆ Housing
High Temp Thermoplastic, 94V-0 Rated, Black Color
- ◆ Terminal
Copper Alloy
- ◆ Post
Copper Alloy
- ◆ Terminal Plating
Gold Plating on Contact Area
Gold Flash Plating on Solder Tails
Nickel Underplating Overall
- ◆ Post Plating
Tin Plating on Solder Tails
Nickel Underplating Overall

Mechanical Specifications:

- ◆ Normal Force
1.5N/Pin
- ◆ Durability
10000 Cycles
- ◆ Operating Temperature Rating
-40°C to +85°C

Electrical Specifications:

- ◆ Rated Voltage
15V DC
- ◆ Rated Current
2A Max.
- ◆ Contact Resistance
30 Milliohms Max. Initial
- ◆ Dielectric Withstanding Voltage
500V AC Min for 1 Minute
- ◆ Insulation Resistance
1000 Megohms Min.



Recommended PCB Layout
(Top View)

