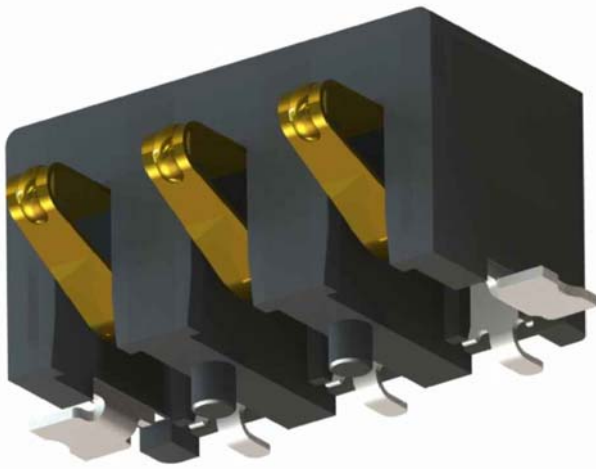


◆ 3 Pin Battery Connector 3.0mm Pitch



Ordering Information:
BTM21 - A4 - R 0 0 2 0
1

- 1. Plating Options
- 2-15u" Gold In Contact Area

Physical:

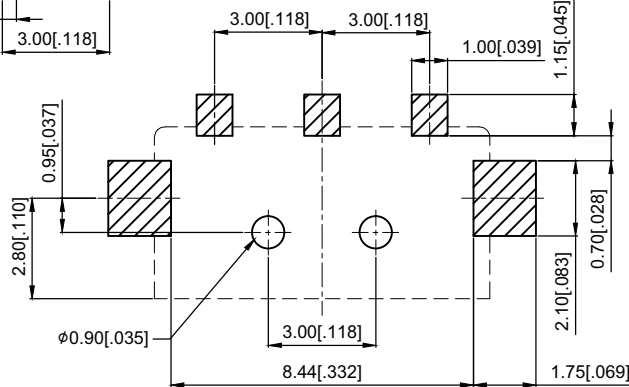
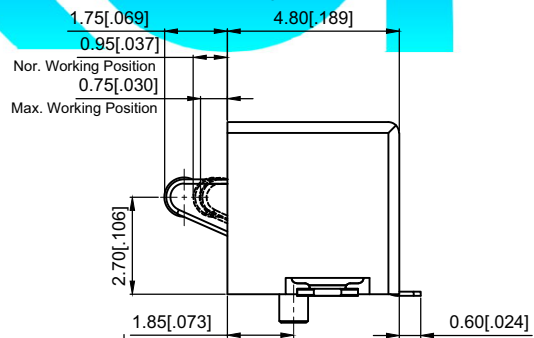
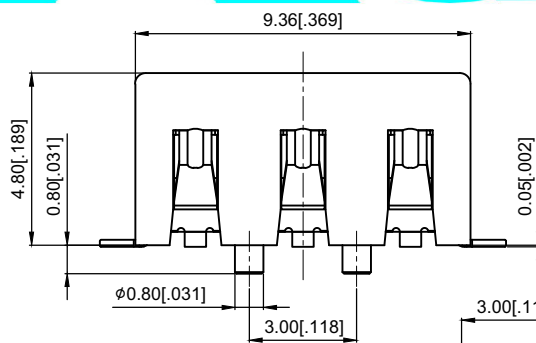
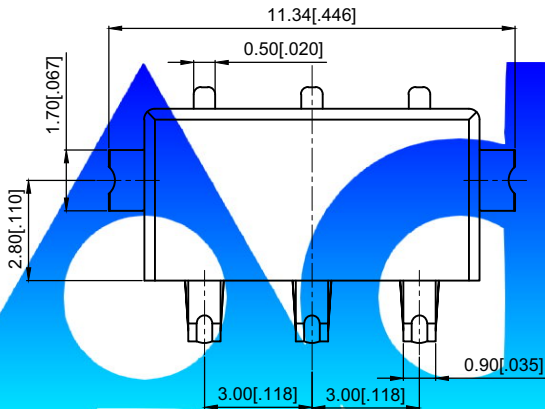
- ◆ Housing
High Temp Thermoplastic, 94V-0 Rated, Black Color
- ◆ Terminal
Copper Alloy
- ◆ Latch
Copper Alloy
- ◆ Terminal Plating
Gold Plating on Contact Area
Tin Plating on Solder Tails
Nickel Underplating Overall
- ◆ Latch Plating
Tin Plating Overall
Nickel Underplating Overall

Mechanical Specifications:

- ◆ Normal Force
100gf/Pin
- ◆ Durability
5000 Cycles
- ◆ Operating Temperature Rating
-55°C to +85°C

Electrical Specifications:

- ◆ Rated Voltage
15V DC
- ◆ Rated Current
1.0A Max.
- ◆ Contact Resistance
40 Milliohms Max. Initial
- ◆ Dielectric Withstanding Voltage
500V AC Min for 1 Minute
- ◆ Insulation Resistance
1000 Megohms Min.



Recommended PCB Layout
(Top View)