

◆ **M12 A-Coding 2A 8P Panel Front Mount Female Solder**

Ordering Information:
CIR03 - A4 - 8A2 * 000
1

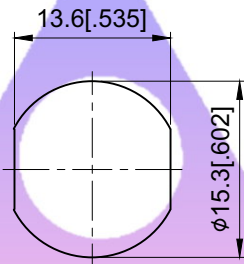
1. Plating Options
 0: Gold Flash in Contact Area
 2: 15u" Gold in Contact Area
 3: 30u" Gold in Contact Area
 4: 6u" Gold in Contact Area

Physical:

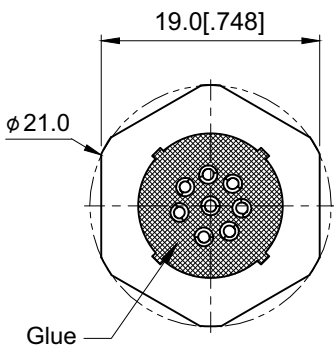
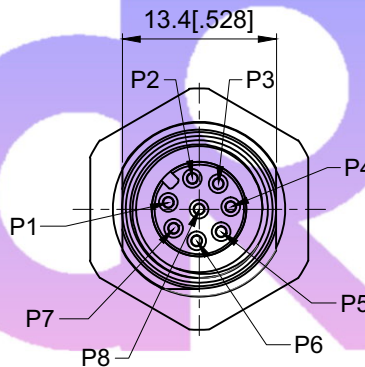
- ◆ Housing
Thermoplastic, Black Color
- ◆ Terminal
Copper Alloy
- ◆ Glue
Epoxy, Black Color
- ◆ Shield Case
Copper Alloy
- ◆ Base
Thermoplastic, Black Color
- ◆ Hex Nut
Copper Alloy
- ◆ O-Ring
Silicone, Red Color
NBR, Black Color
- ◆ Terminal Plating
Gold Plating
- ◆ Hex Nut Plating
Nickel Plating
- ◆ Shield Case
Nickel Plating

Specifications:

- ◆ Waterproof Rate
IP68
- ◆ Recommend Panel Thickness
0.8mm to 5.0mm
- ◆ Recommend Torque
9~10 kgf-cm
- ◆ Durability
100 Cycles Min.
- ◆ DWV
650 Vrms
- ◆ Rated Voltage
30V AC/DC
- ◆ Insulation Resistance
100 MΩ Min.



Recommend Panel Cut-Out



Glue

