

◆ **M12 A-Coding 4A 4&5P Panel Front Mount Female Solder**

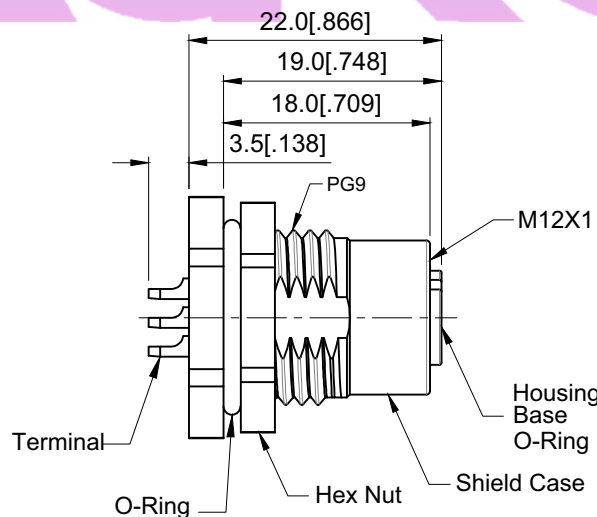
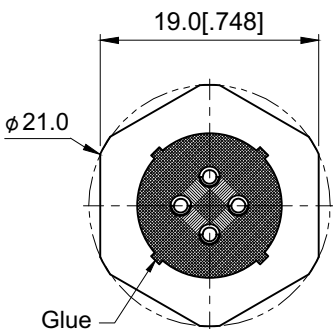
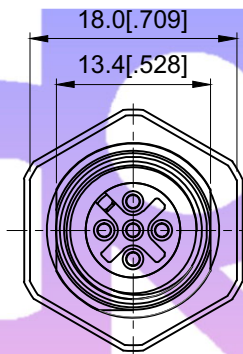
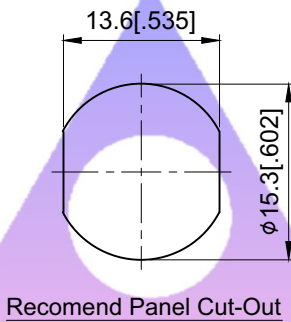


Ordering Information:
CIR03 - A4 - * A2 * 000
 1 2

1. Pin Assignment
4,5
2. Plating Options
0: Gold Flash in Contact Area
2: 15u" Gold in Contact Area
3: 30u" Gold in Contact Area
4: 6u" Gold in Contact Area

Physical:

- ◆ Housing
Thermoplastic, Black Color
- ◆ Terminal
Copper Alloy
- ◆ Glue
Epoxy, Black Color
- ◆ Shield Case
Copper Alloy
- ◆ Base
Thermoplastic, Black Color
- ◆ Hex Nut
Copper Alloy
- ◆ O-Ring
Silicone, Red Color
NBR, Black Color
- ◆ Terminal Plating
Gold Plating
- ◆ Hex Nut Plating
Nickel Plating
- ◆ Shield Case
Nickel Plating



Specifications:

- ◆ Waterproof Rate
IP68
- ◆ Recommend Panel Thickness
0.8mm to 5.0mm
- ◆ Recommend Torque
9~10 kgf-cm
- ◆ Durability
100 Cycles Min.
- ◆ DWV
1400 Vrms for 4P
1000 Vrms for 5P
- ◆ Rated Voltage
250V AC/DC for 4P
60V AC/DC for 5P
- ◆ Insulation Resistance
100 MΩ Min.

Pin Assignment		
Model No.	CIR03-A4-4A2*000	CIR03-A4-5A2*000