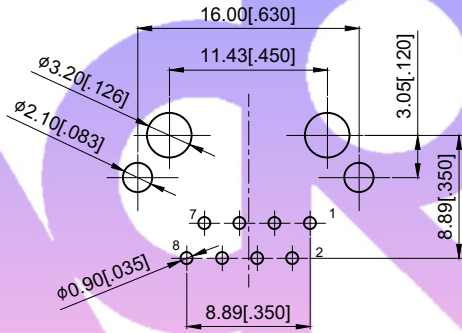
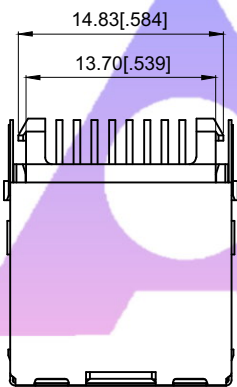
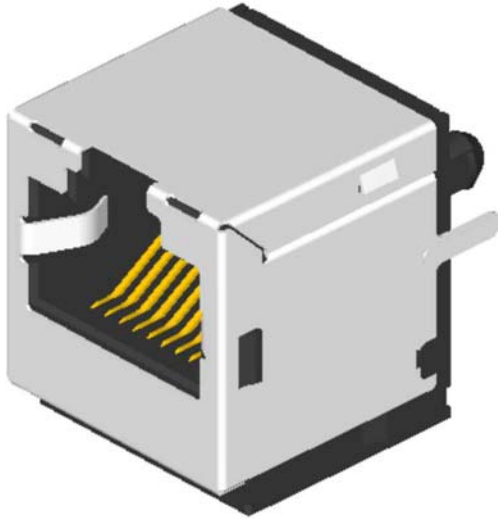
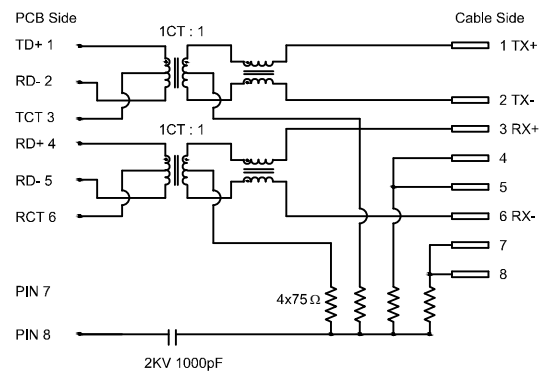
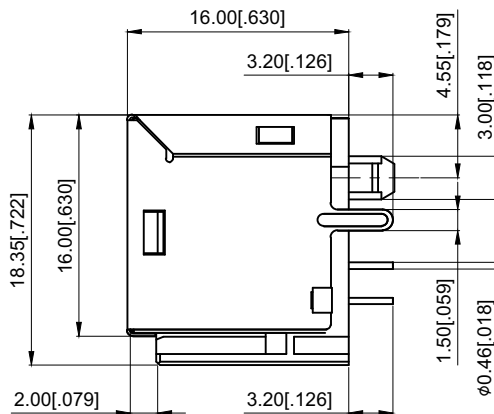
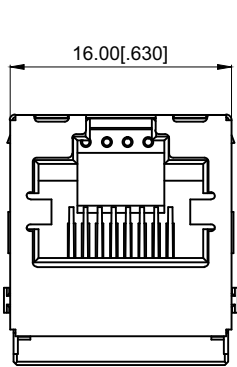


◆ Vertical Modular Jack 10/100 Base-T



Recommended PCB Layout  
(Top View)



Magnetic Schematic

Ordering Information:

**GDI08 - N3 - 0 8 \*  $\frac{1}{1}$  3**

- 1.Plating Options  
1-6u" Gold In Contact Area

Physical:

- ◆ Plastic Housing  
PBT,UL94V-0 Rated,Black Color
- ◆ Transformer Housing  
Phenolic,UL94V-0 Rated,Black Color
- ◆ Terminal  
Copper Alloy
- ◆ Terminal Plating  
Gold Plating on Contact Area  
Tin Plating on Solder Tails  
Nickel Underplating Overall
- ◆ Shell  
Copper Alloy
- ◆ Shell Plating  
Nickel Underplating Overall  
Pre-Soldering on Ground Legs

Mechanical Specifications:

- ◆ Mate Force  
22N Max.
- ◆ Durability  
750 Cycles
- ◆ Operating Temperature Rating  
0°C to +70°C

Electrical Specifications:

- ◆ Contact Resistance  
30 Milliohms Max. Initial
- ◆ Dielectric Withstanding Voltage  
500V per Second Max.
- ◆ Insulation Resistance  
1000 Megohms Min.

Magnetic Electrical Specifications:

- ◆ Transmitter & Receiver Filter:

Insertion Loss (dB Max)	Return Loss at 100 Ω (dB Max)		
1~100MHz	1~30MHz	30~60MHz	60~80MHz
-1.0	-18	-16	-12

- ◆ Common Mode Rejection @1~100 MHz:-30dB Min.
- ◆ Cross Talk @1~100 MHz:-35dB Min.
- ◆ Inductance @100KHz/0.1V,8mA DC Bias:350mH Min.
- ◆ Hi-Pot Test:1500Vrms,60 Sec