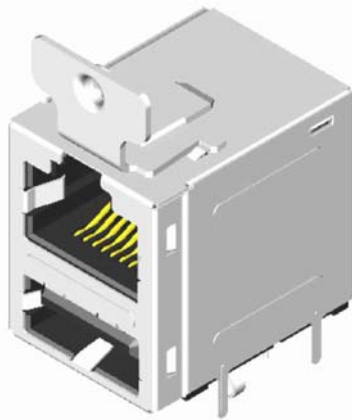


◆ **RJ45+Singel Port USB 10/100 Base-T**



Ordering Information:

GDP06 - N3 - 1 * 1 9 3 0 0
1

- 1.Plating Options
9-30u" Gold In Contact Area

Physical:

- ◆ Plastic Housing
PBT,UL94V-0 Rated,Black Color
- ◆ Transformer Housing
Phenolic,UL94V-0 Rated,Black Color
- ◆ Terminal
Copper Alloy
- ◆ Terminal Plating
Gold Plating on Contact Area
Tin Plating on Solder Tails
Nickel Underplating Overall
- ◆ Front Shell
Stainless Steel
- ◆ Back Shell
Copper Alloy
- ◆ Back Shell Plating
Nickel Underplating Overall
Pre-Soldering on Ground Legs
- ◆ USB Grounding Legs
Steel Alloy
- ◆ USB Grounding Legs Plating
Nickel Underplating Overall
Tin Plating on Solder Tails
- ◆ Nut
Steel Alloy

Mechanical Specifications:

- ◆ Mate Force
22N Max.
- ◆ Durability
1000 Cycles
- ◆ Operating Temperature Rating
0°C to +70°C

Electrical Specifications:

- ◆ Contact Resistance
30 Milliohms Max. Initial
- ◆ Dielectric Withstanding Voltage
500V per Second Max.(for RJ45)
750V AC(for USB)
- ◆ Insulation Resistance
1000 Megohms Min.

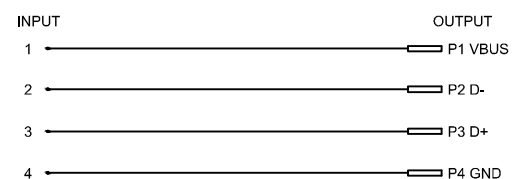
Magnetic Electrical Specifications:

- ◆ Transmitter & Receiver Filter:

Insertion Loss (dB Max)	Return Loss at 100Ω (dB Max)			
	1~100MHz	1~30MHz	30~60MHz	60~80MHz
-1.0	-18	-16	-12	

- ◆ Common Mode Rejection @1~100 MHz:-30dB Min.
- ◆ Cross Talk @1~100 MHz:-35dB Min.
- ◆ Inductance @100KHz/0.1V,8mA DC Bias:350mH Min.
- ◆ Hi-Pot Test:1500Vrms,60 Sec
- ◆ USB Ratings

Insulation Resistance:1000M Ohm(MIN.)
Contact Resistance:30m Ohm(MAX.)
Dielectric Withstanding Voltage:750VAC



USB Magnetic Schematic

