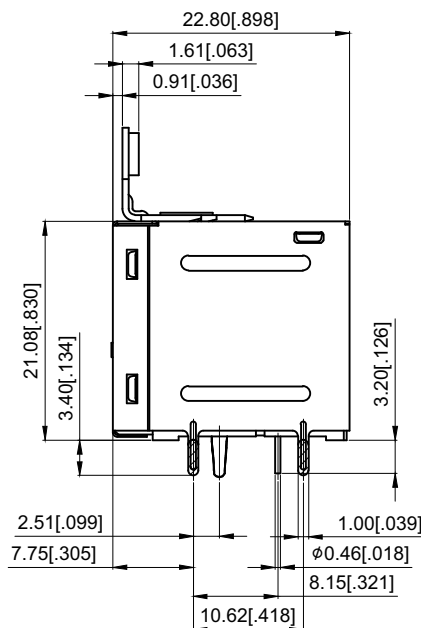
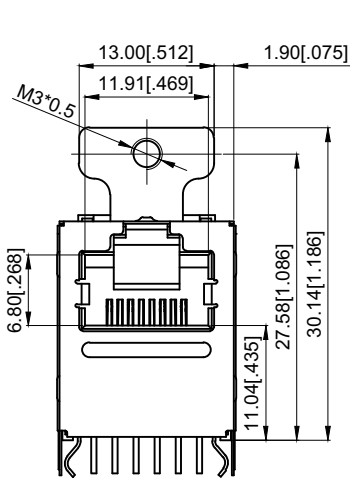
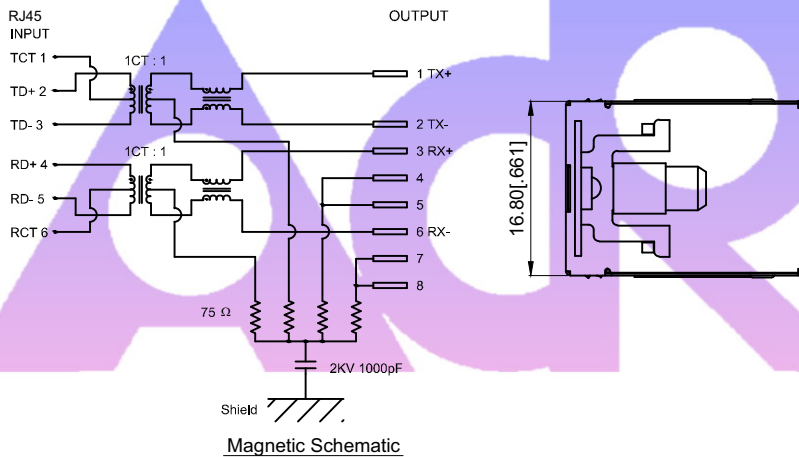
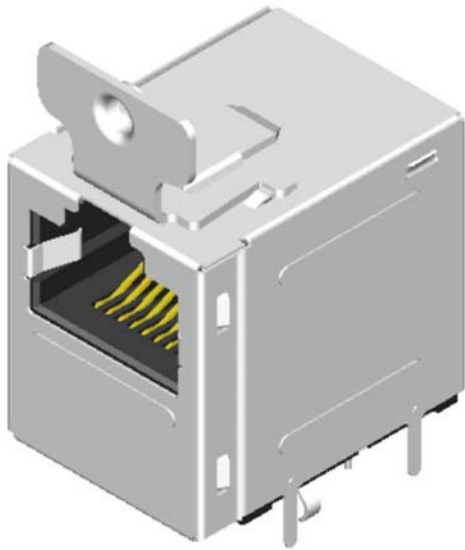


## ◆ Single Port RJ45, 10/100 Base-T



### Ordering Information:

**GDP21 - N3 - \* 6 1 9 3 0 0**  
1

#### 1.Plating Options

9-30u" Gold In Contact Area

#### Physical:

- ◆ Plastic Housing  
PBT,UL94V-0 Rated,Black Color
- ◆ Transformer Housing  
Phenolic,UL94V-0 Rated,Black Color
- ◆ Terminal  
Copper Alloy
- ◆ Terminal Plating  
Gold Plating on Contact Area  
Tin Plating on Solder Tails  
Nickel Underplating Overall
- ◆ Front Shell  
Stainless Steel
- ◆ Back Shell  
Copper Alloy
- ◆ Back Shell Plating  
Nickel Underplating Overall  
Pre-Soldering on Ground Legs
- ◆ USB Grounding Legs  
Steel Alloy
- ◆ USB Grounding Legs Plating  
Nickel Underplating Overall  
Tin Plating on Solder Tails
- ◆ Nut  
Steel Alloy

#### Mechanical Specifications:

- ◆ Mate Force  
22N Max.
- ◆ Durability  
1000 Cycles
- ◆ Operating Temperature Rating  
0°C to +70°C

#### Electrical Specifications:

- ◆ Contact Resistance  
30 Milliohms Max. Initial
- ◆ Dielectric Withstanding Voltage  
500V per Second Max.
- ◆ Insulation Resistance  
1000 Megohms Min.

#### Magnetic Electrical Specifications:

- ◆ Transmitter & Receiver Filter:

Insertion Loss (dB Max)	Return Loss at 100 Ω (dB Max)			
	1~100MHz	1~30MHz	30~60MHz	60~80MHz
-1.0	-18	-16	-12	

- ◆ Common Mode Rejection @1~100 MHz:-30dB Min.
- ◆ Cross Talk @1~100 MHz:-35dB Min.
- ◆ Inductance @100KHz/0.1V, 8mA DC Bias:350mH Min.
- ◆ Hi-Pot Test:1500Vrms,60 Sec

